

DEL-SYS DB-50-WSA

IP Terminal controller

Product data sheet



Internet



Mobile/Tablet



Powerbat



Lighting



Heating



163 kWh

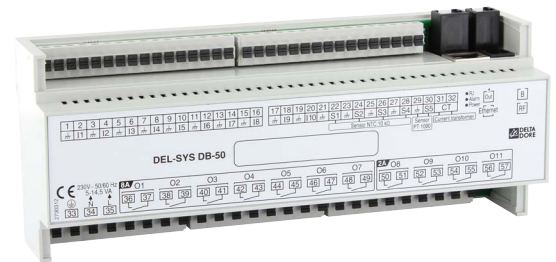


Alarm

DESCRIPTION

The DB-50 terminal controller from the Del-Sys range is linked to the WSA (Web Services Automation) application.

This product uses Web technologies and is particularly suitable for managing building processes.



APPLICATIONS

> Control and Management:

- Web interface
- Manages 36 points
- Catalogue of integrated functions
- Embedded time schedules
- Embedded archiving

> Communication

- Modbus TCP/IP server
- Web XML server
- Powerbat compatible



THE + OF DELTA DORE

+ Enhanced performance

- > 100Mb/s Ethernet port
- > Flexible and programmable automatic control system

+ Wiring

- > Quick wiring using RJ9 connectors
- > Simplified maintenance with screw-free terminal blocks

+ Optimisation of costs and modularity

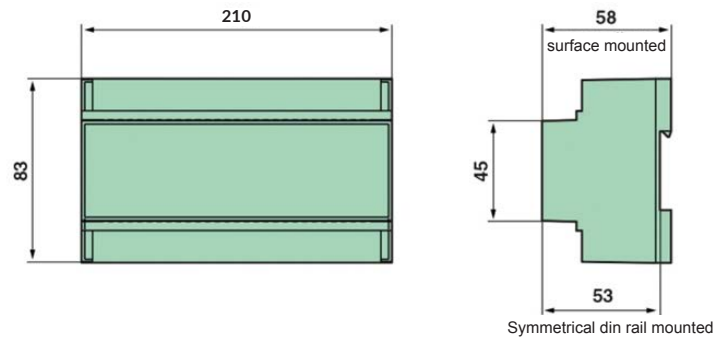
- > Electrical supply to the sensors from the controller
- > Integrated current limiter
- > Can integrate DX modules from the DEL-SYS range

+ Eco-design

The DEL-SYS range is the result of an eco-design approach and has a low consumption

TECHNICAL FEATURES

Supply	230V AC, 50/60 Hz
Inputs	10 x on/off 4 x NTC sensors 1 x PT1000 sensor 1 x TI Load shedding/Limiter
Outputs	4 x 8A relay outputs limited to 2 KW 3 x 2A relay outputs
Communication port	1 x 100base-TX Ethernet port 1 x RJ9 port 1 x RJ12 port
Processor	PIC32MX795F512H
Connectors	screw-free terminal blocks
Operating temperature	- 20 °C - 60° C
Protection	IP20
Insulation	Class II
Dimensions	Modular unit (12 modules) 210 x 83 x 58 mm



PERIPHERALS

REFERENCE	NAME
TRANSFO TI 2/90A	Current transformer
DWM-01	Room sensor NTC10k
DWM-10	Room sensor
DWM-11	Room sensor + hygrometer
DWM-21	Room terminal display
DWM-21.1	Room terminal display + hygrometer
4POEM5900	RFID antenna

REFERENCE NUMBERS

REFERENCE	NAME
DB-50	Terminal controller DB-50